

GXB1-63B Series WiFi Branch Switch

Product Data-sheet



(Monitor function)



(no monitor function)

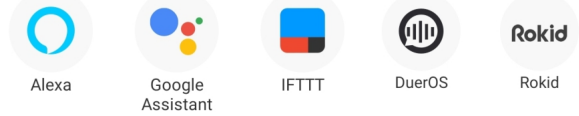


Model	GXB1-63B
Rated voltage	AC230V
Operate voltage range	AC120-280V
Rated frequency	50Hz/60Hz
Number of poles	1P, 2P
Rated current (In)	1A, 5A, 10A, 16A, 20A, 25A, 32A, 40A, 50A, 63A
Leakage protection	1P (no leakage protection), 2P (with leakage protection)
Mechanical life	10,000 times
Electrical life	10,000 times
Power consumption	3W
Ambient temperature	-5 °C ~ +40 °C
Limit service temperature	-25 °C ~ +70 °C
Maxi mum wiring capacity	16mm ²

Optional	Monitor function type
Settable current range	1-63A
Settable voltage range	110-280V
Settable Over-voltage range	275V
2Pole Leakage	30mA

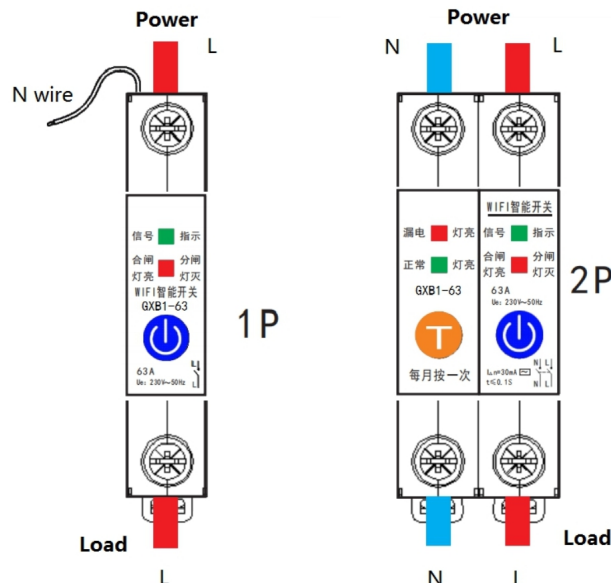
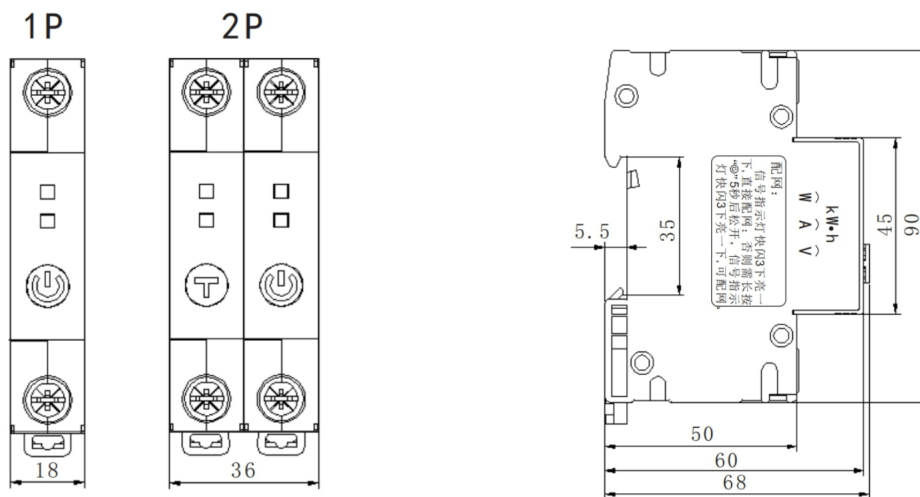
Advantage Function

1. **Ewelink** app support 3rd party voice control:

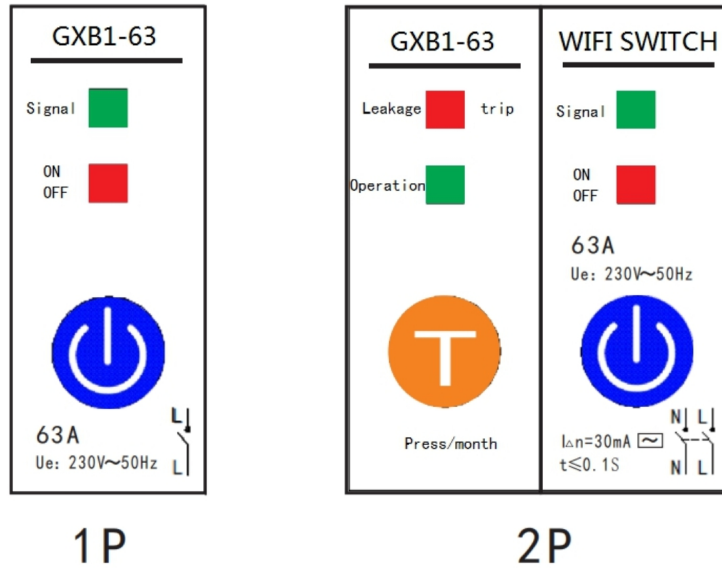





2. Remotely control opening & closing circuit when circuit breaker in stable WiFi area.
3. Timing & Circulating timing & delay timing to opening and closing the circuit.
4. Real time monitoring function: voltage, current, rated power and metering function.
5. Earth leakage protection(2P): the earth leakage's value can be setting on APP, branch switch can disconnect within 0.1s automatically.
6. Sharing control

Product dimensions(mm)



Operation instruction



- 1, Press  , Open/close the circuit.
- 2, Press  for 5 seconds, Pairing status (after the signal flash 3times).
- 3, Press  at power-on status, branch switch will open the circuit OFF. It is leakage protection test button.